

GEORATOR Corporation



INVERTERS & UPS SYSTEMS

INDUSTRIAL GRADE DESIGN UPS SYSTEMS

- UPS SINGLE PHASE: 3KVA TO 80KVA
- UPS THREE PHASE: 10KVA TO 400 KVA

INVERTER SYSTEMS SINGLE/THREE PHASE

- 110VDC BUS, NOMINAL: 10KVA TO 80KVA
- 220VDC BUS, NOMINAL: 10KVA TO 120KVA
- 348VDC BUS, NOMINAL: 10KVA TO 400KVA

Applications Include

- **Utility**
- **Oil and Gas**
- **Industrial**
- **Wastewater Treatment**
- **Process Control**

Important Aspects of the Georator Inverter/UPS System

- System may be integrated with any battery technology
- Available with integral 6 pulse, optional 12 pulse or user supplied charging.
- True On-Line or Off-Line Operation
- Static Transfer and Maintenance Bypass
- IGBT Inverter Technology
- Fully Protected system
- Integral Mimic Bus
- Inverters may operate as, Single Units, as Hot Standby, or in Parallel with Full Load Share Capability.



GEORATOR Corporation
9617 Center Street
Manassas, Virginia 20110
U.S.A.

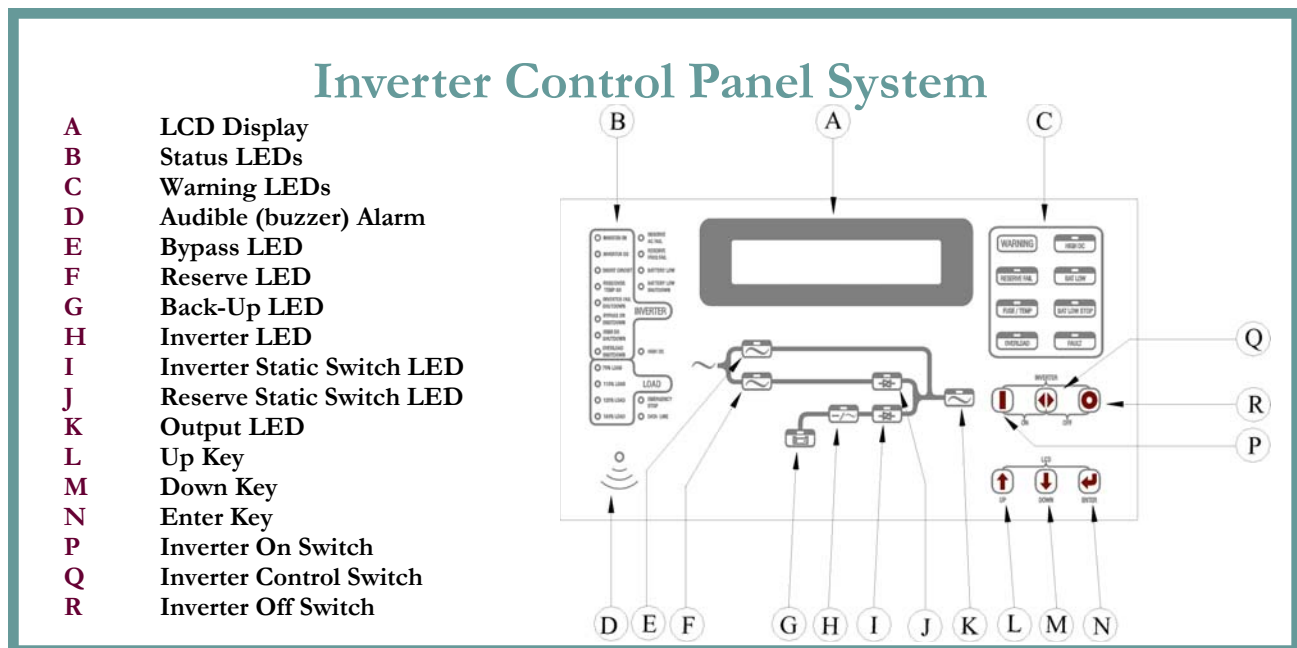
+1-703-368-2101
(toll free in USA) 800-523-9938
(fax) +1 703-368-1078
WWW.Georator.Com
Sales@Georator.com



Features & Advantages

Advanced technology of PWM, DSP and IGBT switching components.

- Pure Sine Wave Output.
- True On-Line Double Conversion.
- User-friendly LCD Display and Controls.
- True Galvanic isolation, input to output.
- Multi-CPU design makes units highly reliable.
- Plug & Play modular design.
- Efficiently operates under 100% unbalance load.
- Advanced circuitry protects against human error
- Intelligent chargers with temperature compensation.
- Intelligent, safe battery test circuitry.
- Cold start function; can be started without AC mains (with battery only).
- Variety of communication options are available.



DC Bus Available

- 120 VDC
- 240 VDC
- 348 VDC

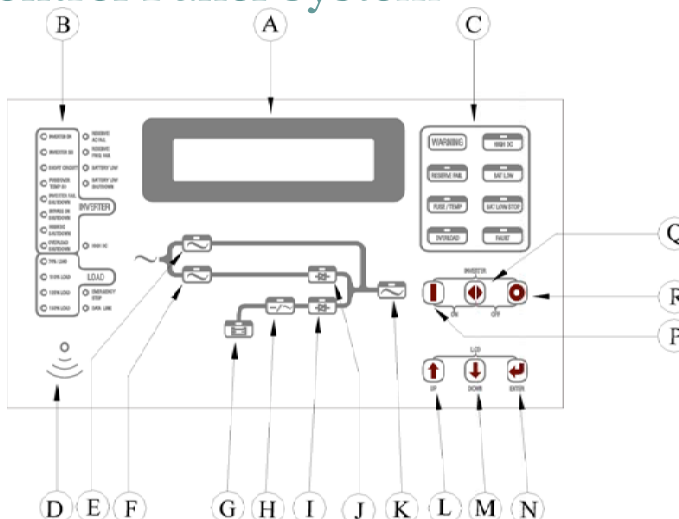
AC Outputs available

- All standard and most custom AC inputs available.



UPS Control Panel System

- A LCD Display
- B Status LEDs
- C Warning LEDs
- D Audible (buzzer) Alarm
- E Bypass LED
- F Reserve LED
- G Rectifier LED
- H Back-Up LED
- I Inverter LED
- J Inverter Static Switch LED
- K Reserve Static Switch LED
- L Output LED
- M Up Key
- N Down Key
- O Enter Key
- P Inverter On Switch
- Q Inverter Control Switch
- R Inverter Off Switch



Status LED's

- Inverter On
- Inverter Static Switch Status
- Output Short Circuit
- Fuse/Over Temp Shut Down
- Inverter Fail Shutdown
- Bypass On Shutdown
- High DC Shutdown
- Overload Shutdown
- 70% Load Notification
- 110% Load Notification
- 125% Load Notification
- 150% Load Notification
- Reserve AC Fail
- Reserve Frequency Fail
- Battery Low
- Battery Low Shutdown
- React AC Fail
- Rotation Error
- Rectifier Shut Down
- High DC
- Boost Charge
- Battery Test
- Data Line (Communications Port)

Communications

- (2) Two RS-485 Ports
- (2) Two RS-232 Port
- (1) MODBUS Port

Options

- E-Stop
- Remote Control
- Battery & Computer Monitoring
- Computer Software (standard)

Warning LED's

- Rectifier AC Fail
- Reserve AC Fail
- Fuse/Temp
- Overload
- High DC
- Battery Low
- Battery Low Stop
- Fault

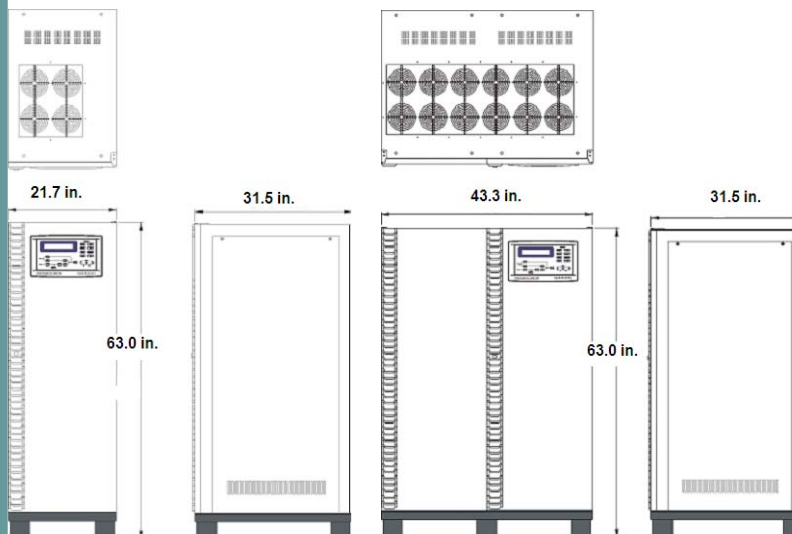
Audible Buzzer Alarm

- Inverter is Overloaded
- Back Up
- Inverter is Short Circuited
- Fuse Broken
- Heat Sink Over Temperature
- High DC Shutdown
- Bypass On Stop
- Emergency Stop

Dry Contacts - 8 terminals rated for 250VAC/16A, 30VDC/16A

Inverter On	Overload	Bypass
Fault Condition	Static Switch On	Back Up
Low Battery	Common Contact	

System Enclosures





Georator UPS/Inverter Systems are available in a wide range of Input and Output Sizes for both Three Phase and Single Phase Applications. Specific Data Sheets are available to describe each model and the size possibilities available.

Please use the tables below to determine the system you require and we will provide a Data Sheet to meet your needs.

Inverter/UPS System Available Outputs

UPS Single Phase	UPS Three Phase	Inverter (Nom 110VDC)	Inverter (Nom 220VDC)	Inverter (Nom 348VDC)
3KVA	10KVA	3KVA	10KVA	10KVA
5KVA	15KVA	5KVA	15KVA	15KVA
8KVA	20KVA	8KVA	20KVA	20KVA
10KVA	30KVA	10KVA	30KVA	30KVA
15KVA	40KVA	15KVA	40KVA	40KVA
20KVA	50KVA	20KVA	50KVA	50KVA
30KVA	60KVA	30KVA	60KVA	60KVA
40KVA	80KVA	40KVA	80KVA	80KVA
50KVA	90KVA	50KVA	90KVA	90KVA
60KVA	100KVA	60KVA	100KVA	100KVA
80KVA	120KVA	80KVA	120KVA	120KVA
	160KVA			160KVA
	200KVA			200KVA
	240KVA			240KVA
	300KVA			300KVA
	320KVA			320KVA
	400KVA			400KVA

Sold & Distributed by;

GEORATOR Corporation
 9617 Center Street
 Manassas, Virginia 20110
 U.S.A.
 +1-703-368-2101
 (Toll Free in USA) 800-523-9938
 (fax) +1 703-368-1078